

## Label sensor CEON

to detect particularly thin or transparent label materials

When self-adhesive labels are applied automatically, paper or plastic materials are in use depending on the requirement. The range includes particularly thin, transparent or metallized labels.

The intelligent CEON label sensor on the labeling head supports reliable identification and precise positioning of all conventional label materials.

### Good reasons for choosing CEON label sensors by cab

- easy assembly directly on the peel-off plate
- detection of all label materials at any mesh width
- precise detection even at very high dispensing speeds up to 8,000 inches/min
- high repeat accuracy
- ManualTeach sensor balance independent from the system and by means of AutoTeach directly on the labeling head IXOR
- operating voltage 15 to 30 VDC
- push-pull output:  
PNP, NPN, 40 mA, short-circuit proof

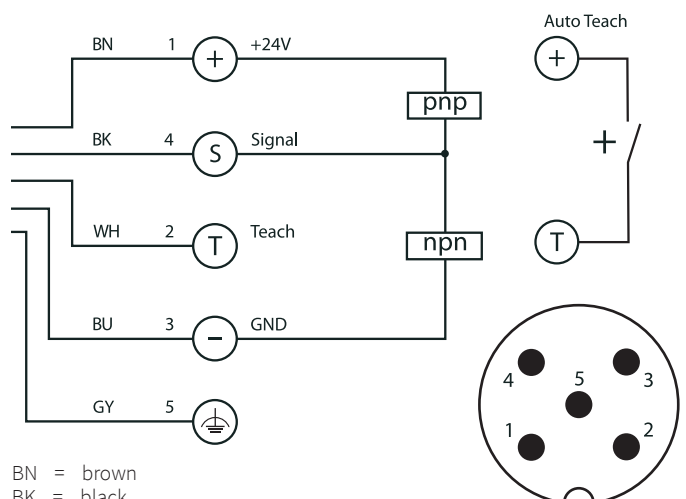


### Delivery program

Part no.	Product
5983588	Label sensor CEON
5972339	Holding bar on peel-off plate for CEON

### Pin assignment

M12 plug, 5 pin, a-coded



BN = brown  
BK = black  
BU = blue  
WH = white  
GY = grey

Do you have needs, questions or suggestions?  
Just email to [labeling@cab.de](mailto:labeling@cab.de)  
For further information see [www.cab.de/en](http://www.cab.de/en)